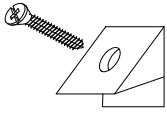
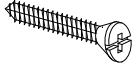
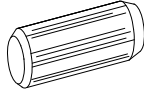
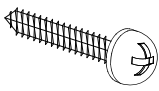
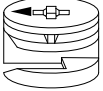

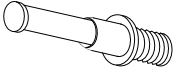




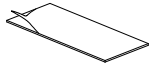
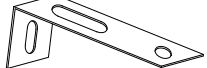
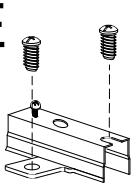


<b>A</b>		<b>L430</b>		<b>4x30 mm.</b>	<b>x5</b>
		<b>x36</b>			
<b>B</b>		<b>8x30 mm.</b>	<b>L427</b>		<b>4x27 mm.</b>
		<b>x16</b>			<b>x6</b>
<b>C</b>		<b>ø15 mm.</b>	<b>P</b>		<b>x6</b>
		<b>x8</b>			
<b>D</b>		<b>7x60 mm.</b>	<b>R</b>		<b>x12</b>
		<b>x8</b>			
<b>E</b>		<b>7x60 mm.</b>	<b>T20</b>		<b>x8</b>
		<b>x8</b>	<b>ø20 mm.</b>		
<b>T9</b>		<b>ø9 mm.</b>			<b>x5</b>
<b>BB</b>			<b>PST</b>		<b>x1</b>
		<b>x10</b>			

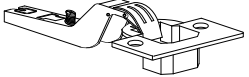
209008-05CC

**H4E**




**x2**

**C8**



**x2**

**L15**

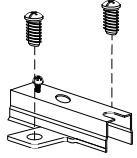


**4x15 mm.**

**x4**

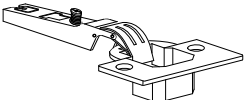
209008-08CC

**H2E**




**x4**

**C0**



**x4**

**L15**

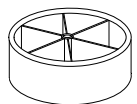


**4x15 mm.**

**x8**

**F21**

205124-06PIE



**ø 60 mm**  
**h 20 mm**

**x6**

# 2

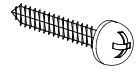
F21

Ø 60 mm  
h 20 mm



x6

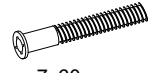
L427



4x27 mm.

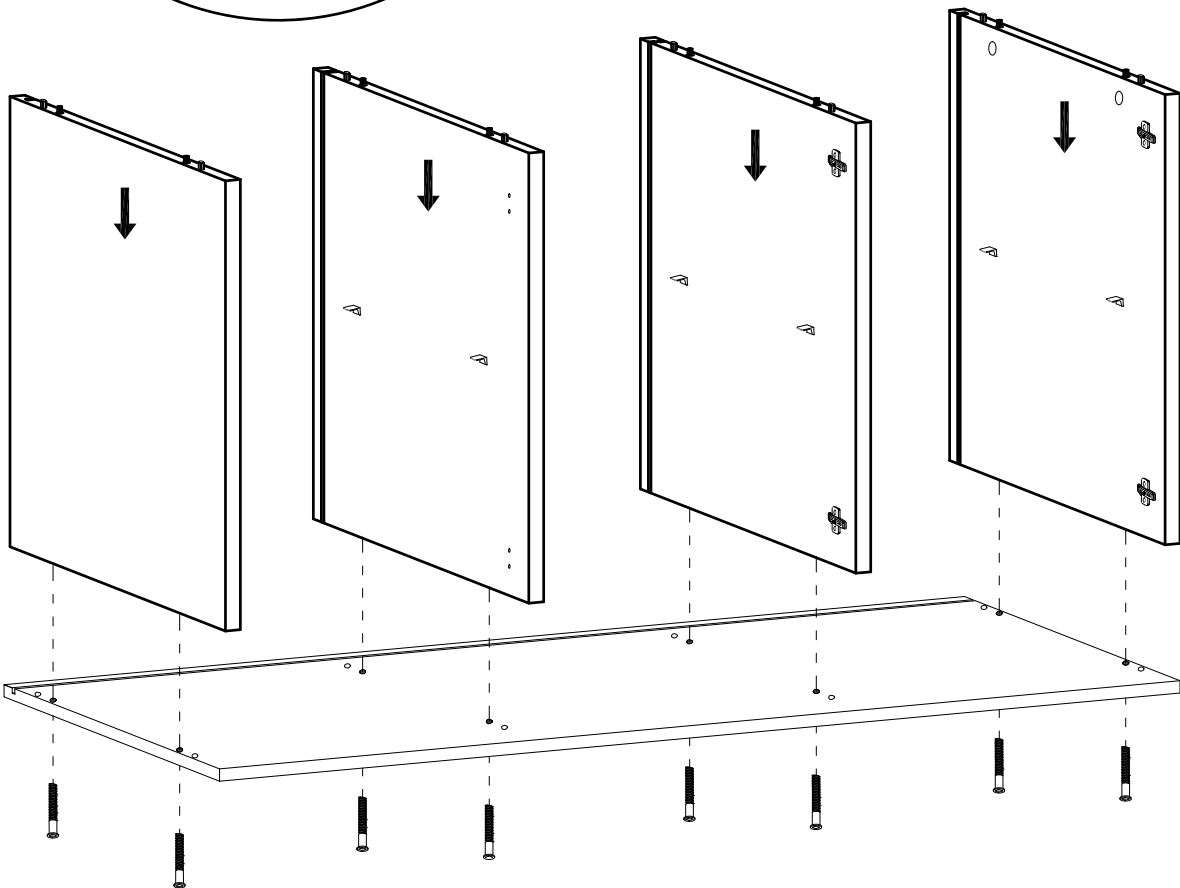
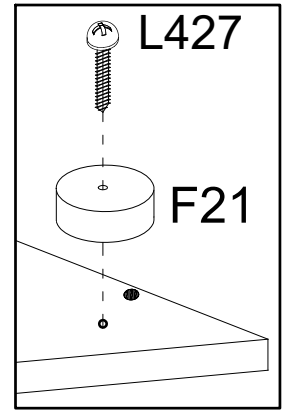
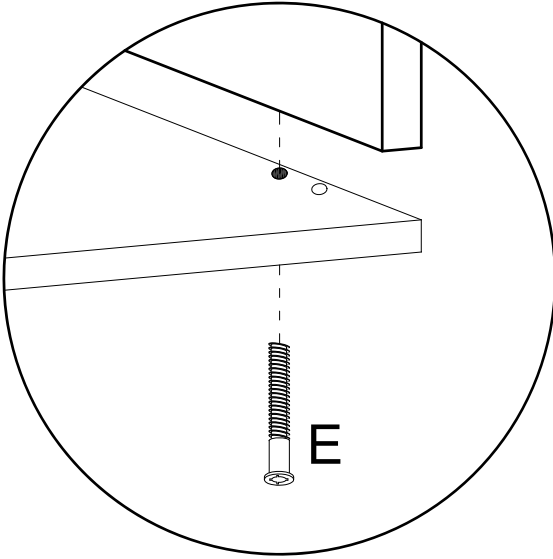
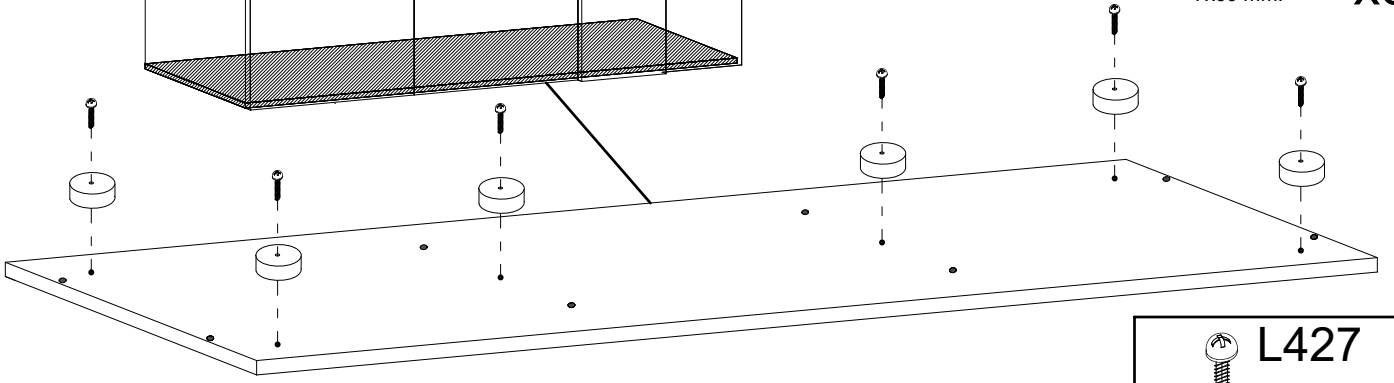
x6

E

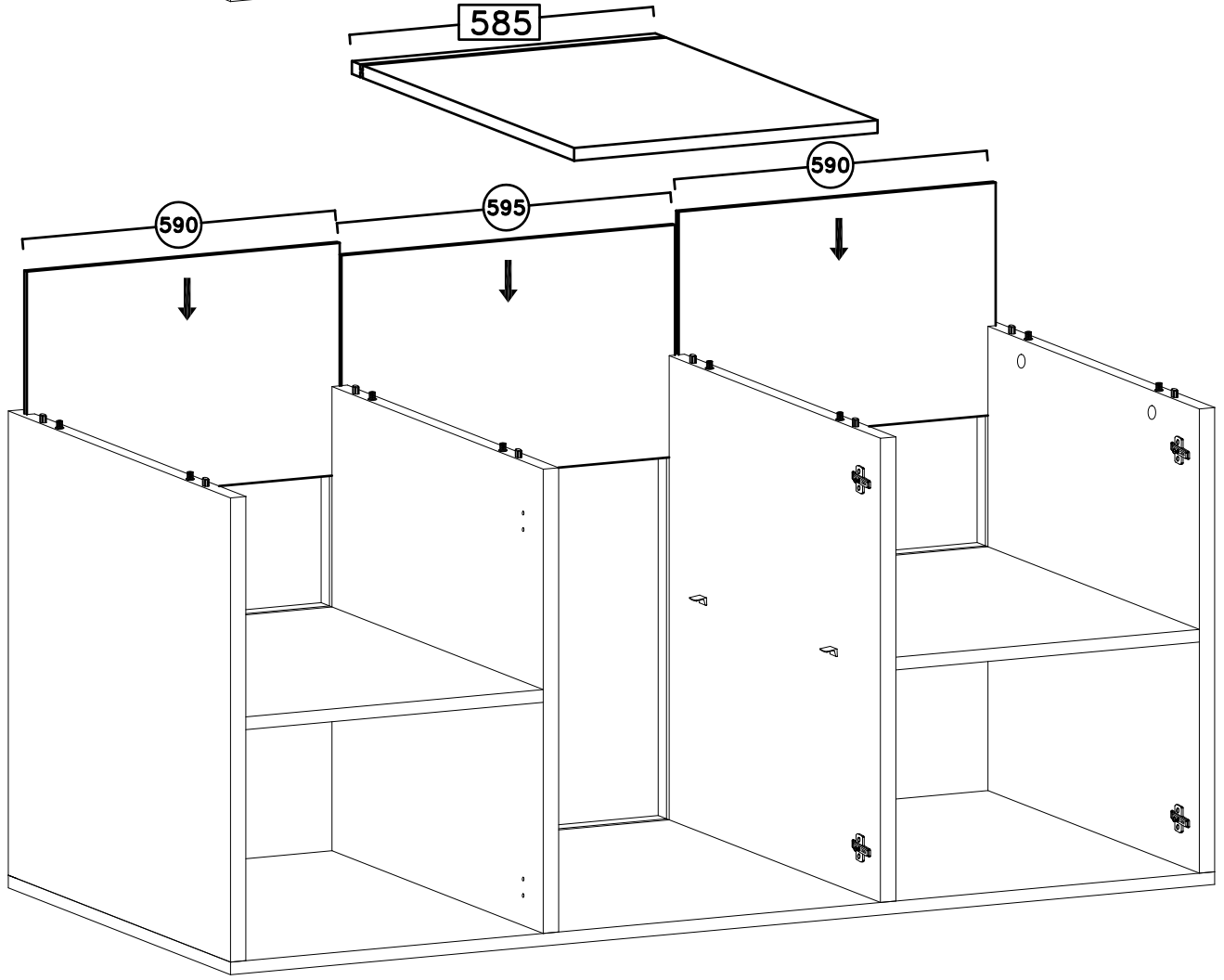
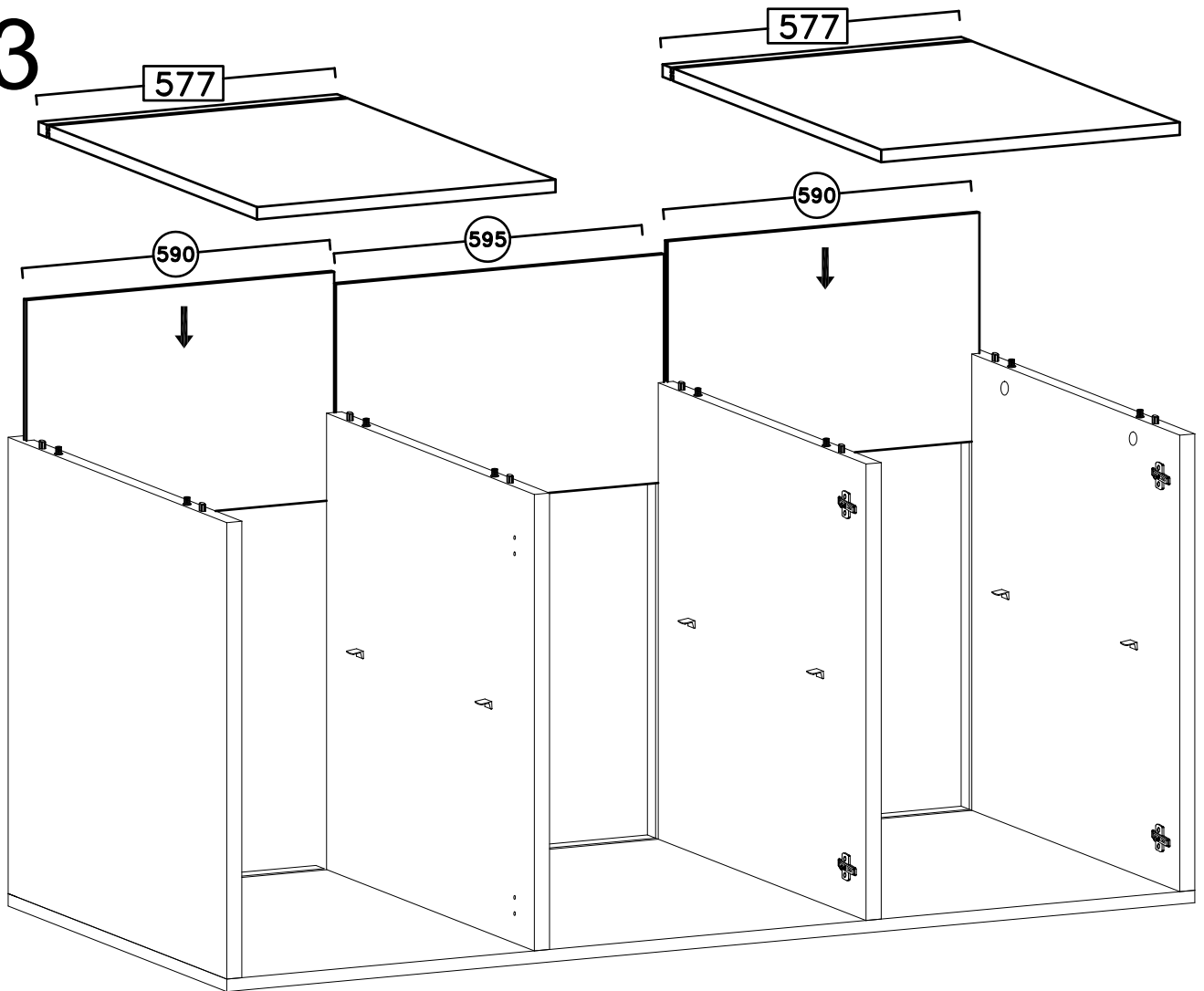


7x60 mm.

x8



3



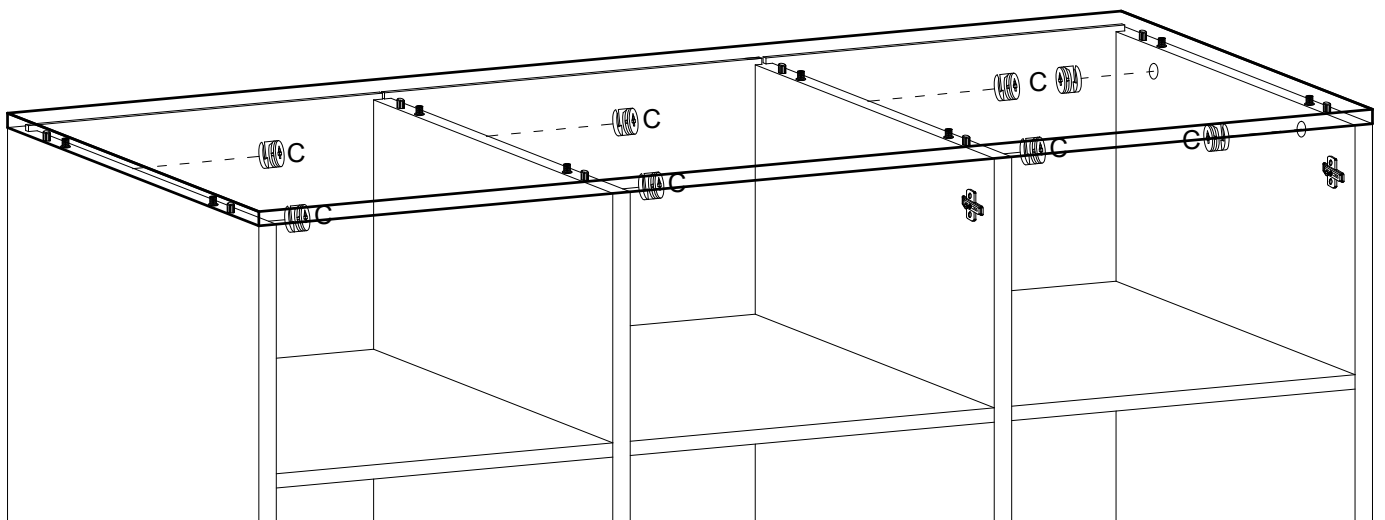
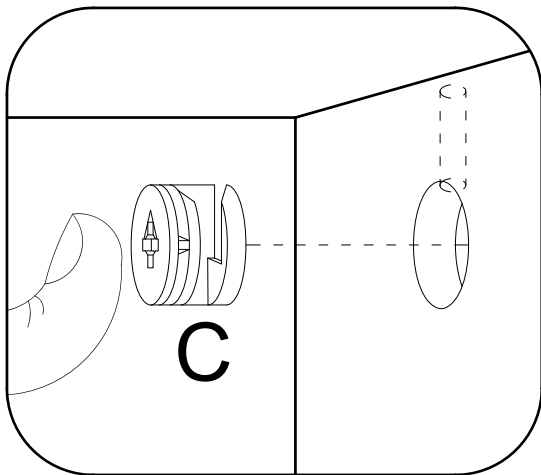
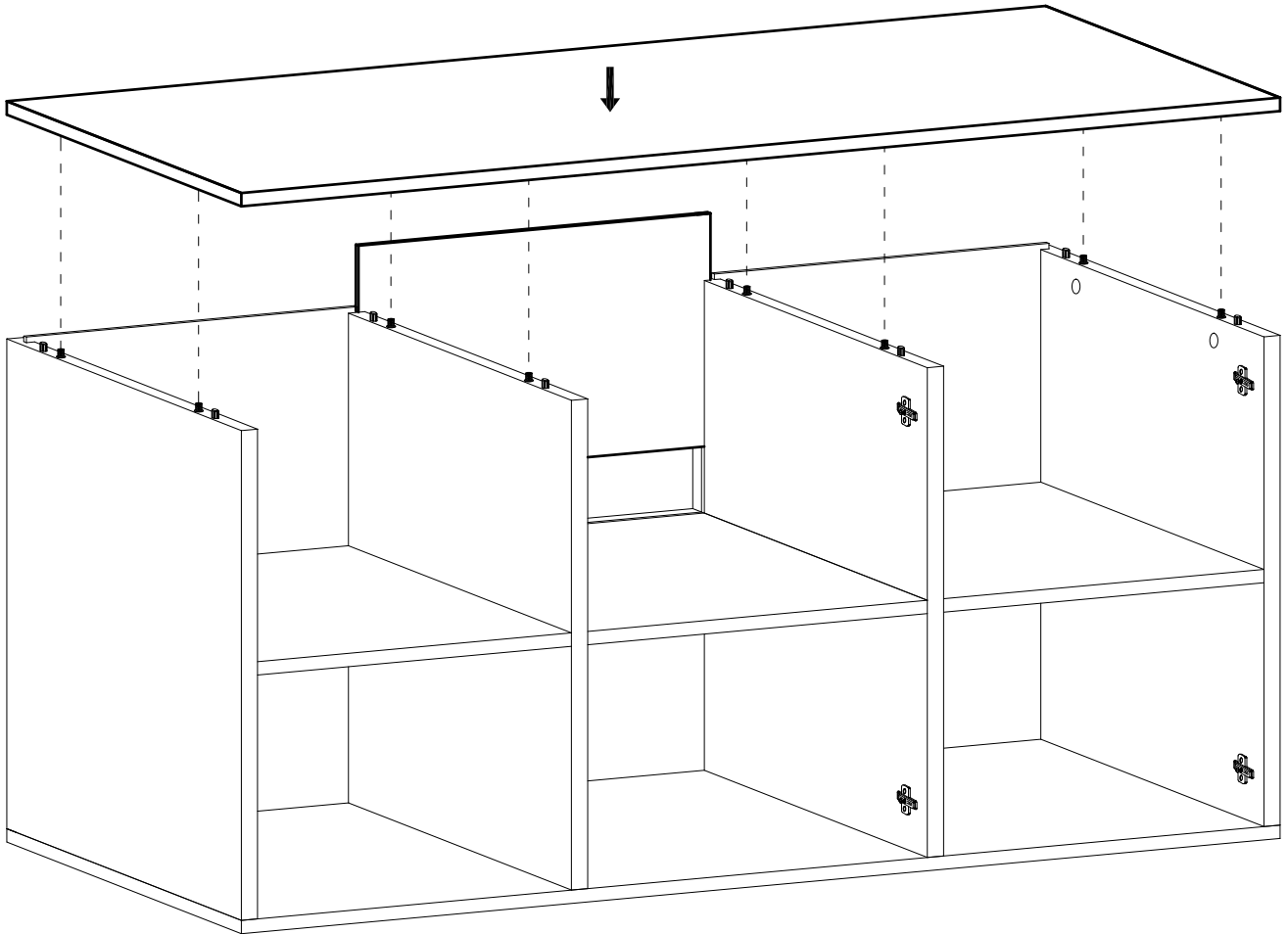
# 4

# C

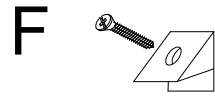


∅15 x 12 mm

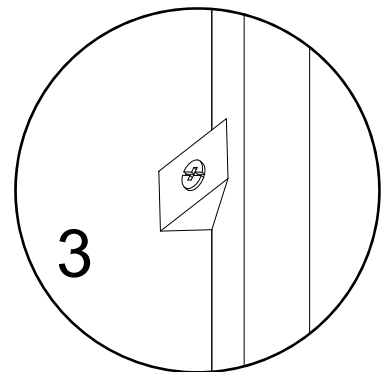
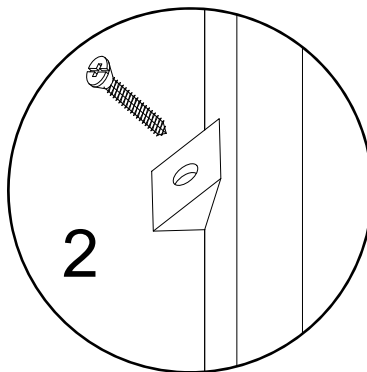
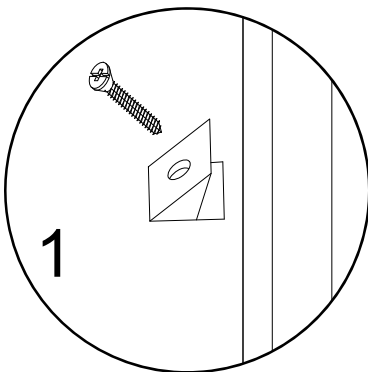
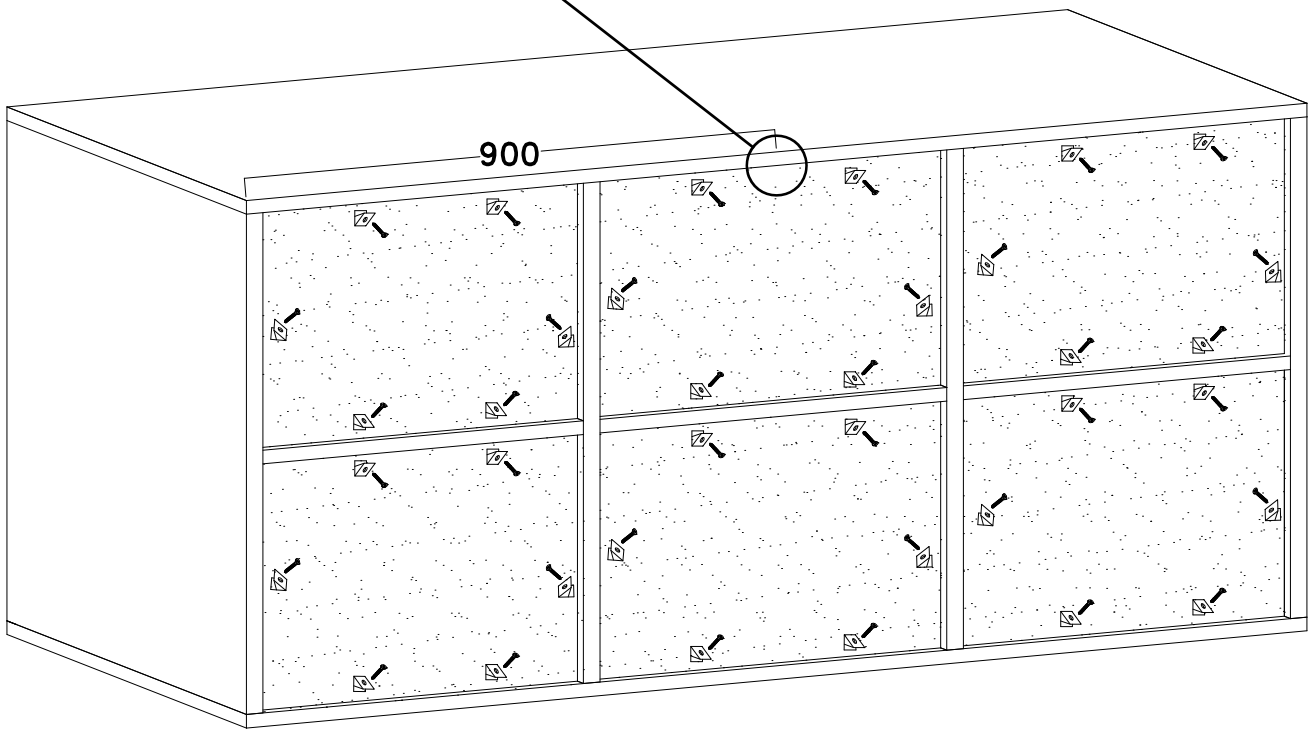
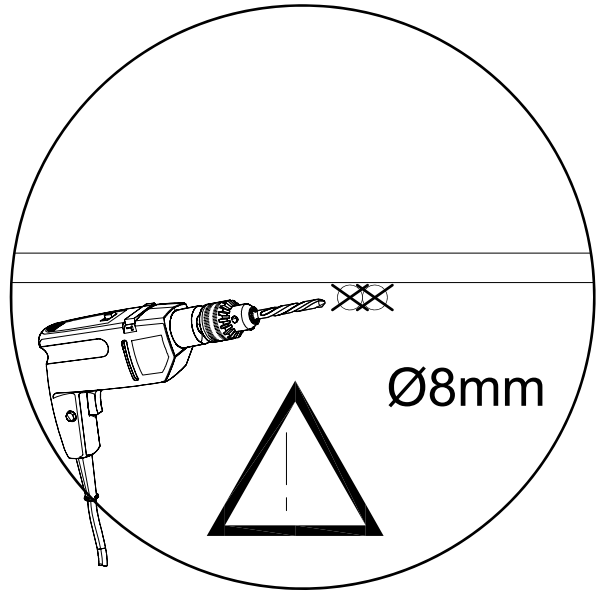
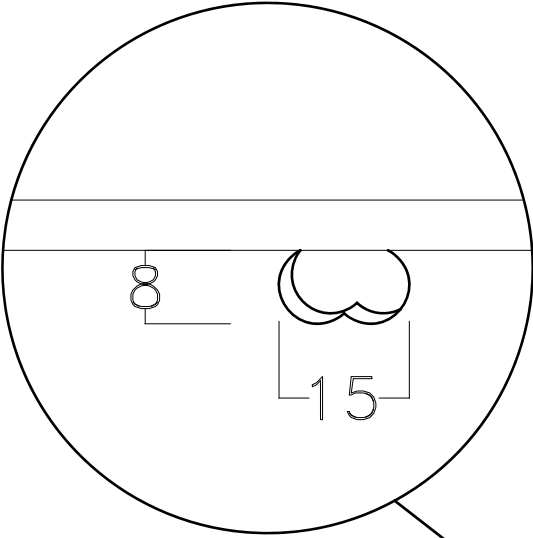
# X8



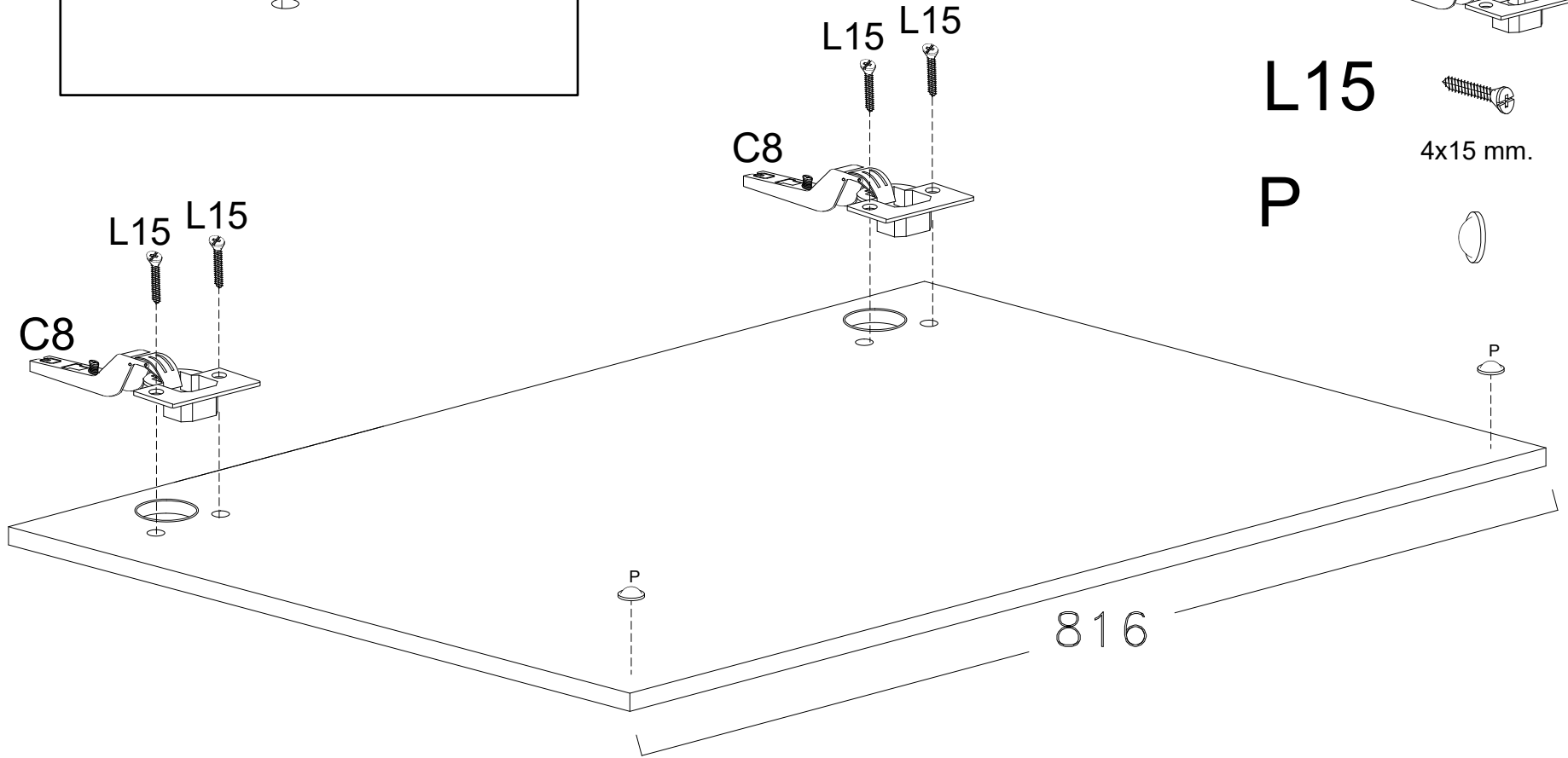
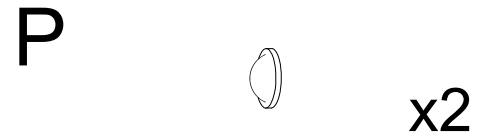
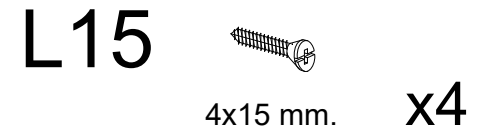
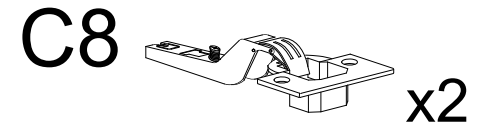
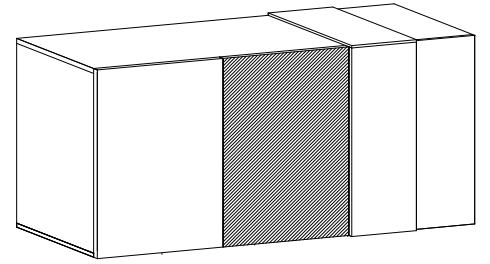
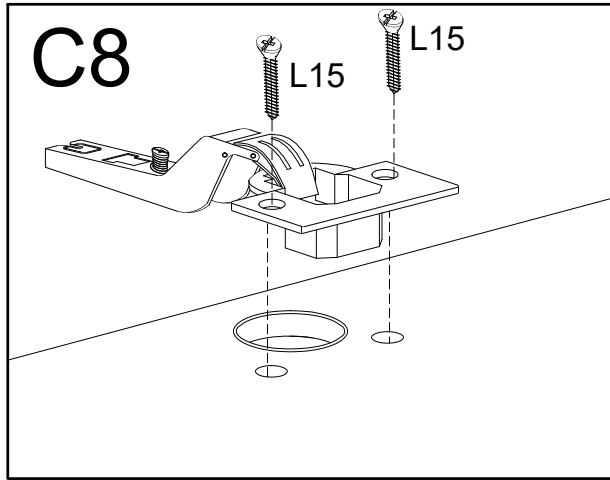
# 5



x36

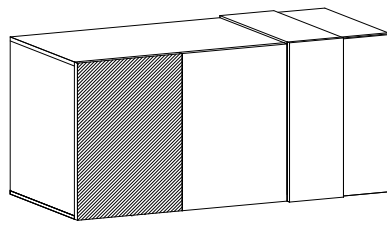
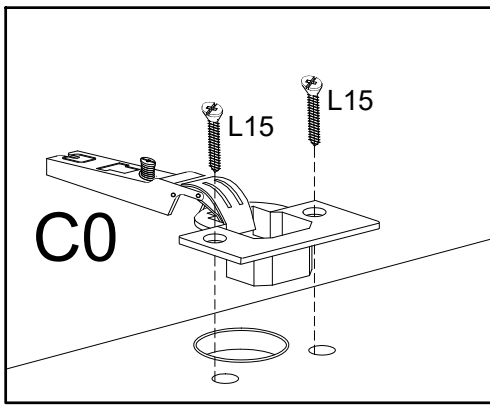


6

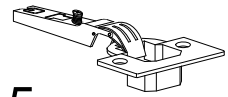




7



C0



x4

L15



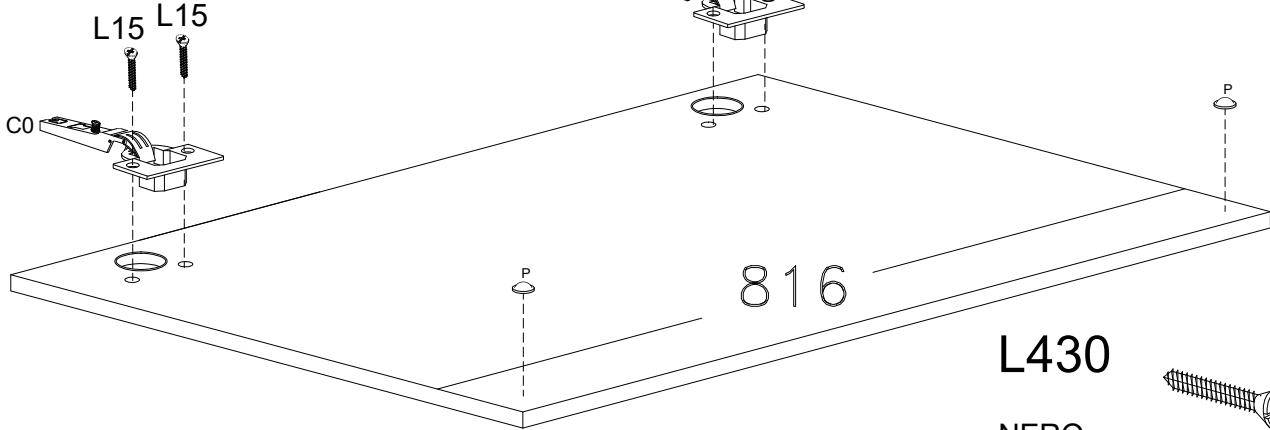
x8

4x15 mm.

P



x4



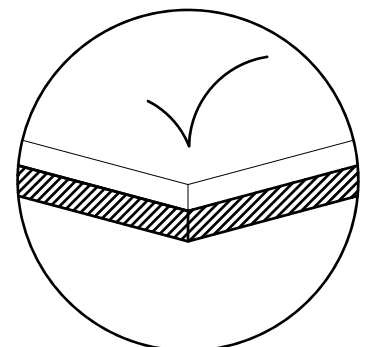
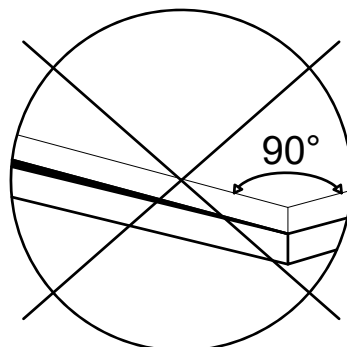
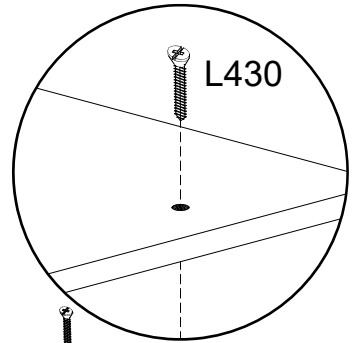
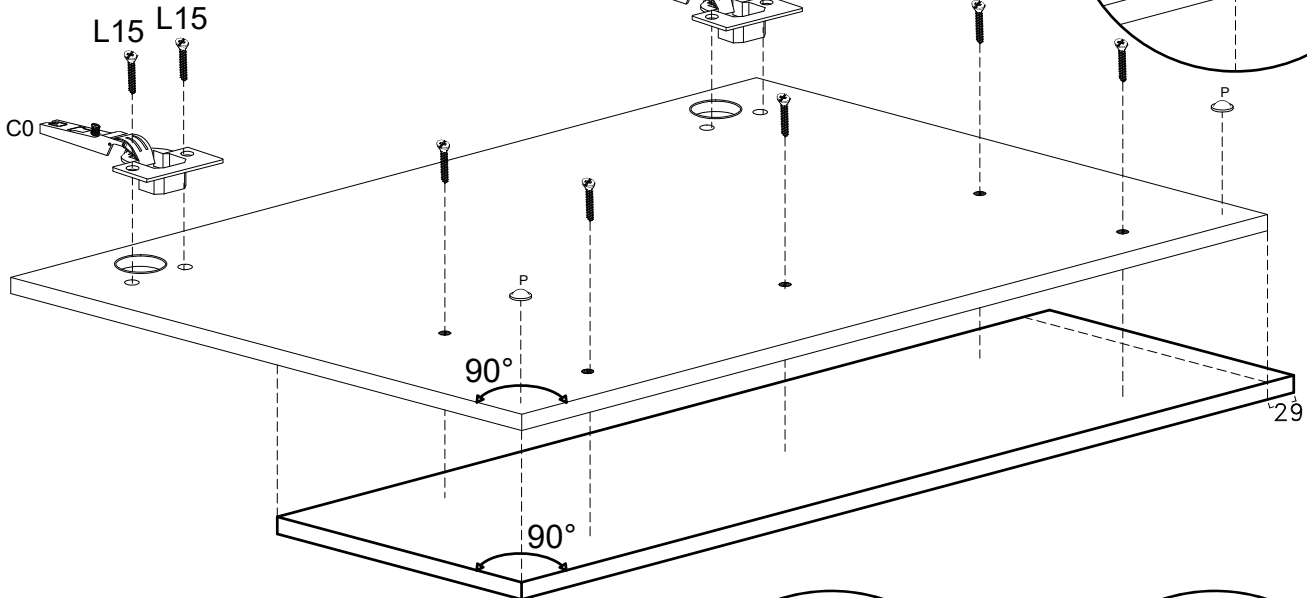
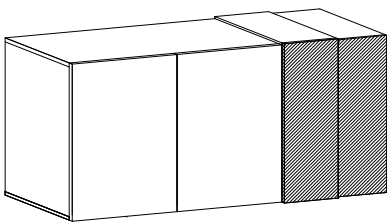
L430

NERO  
BLACK

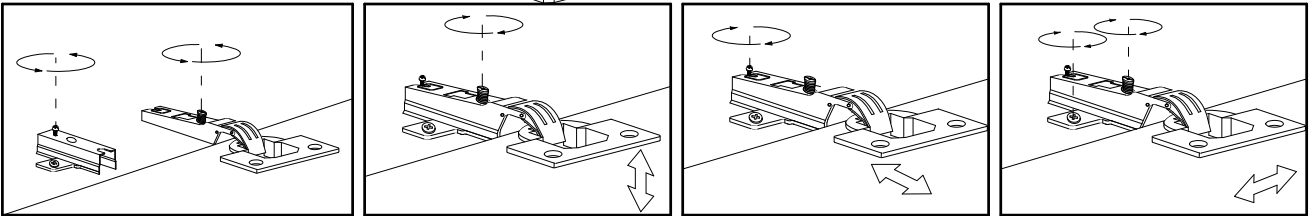
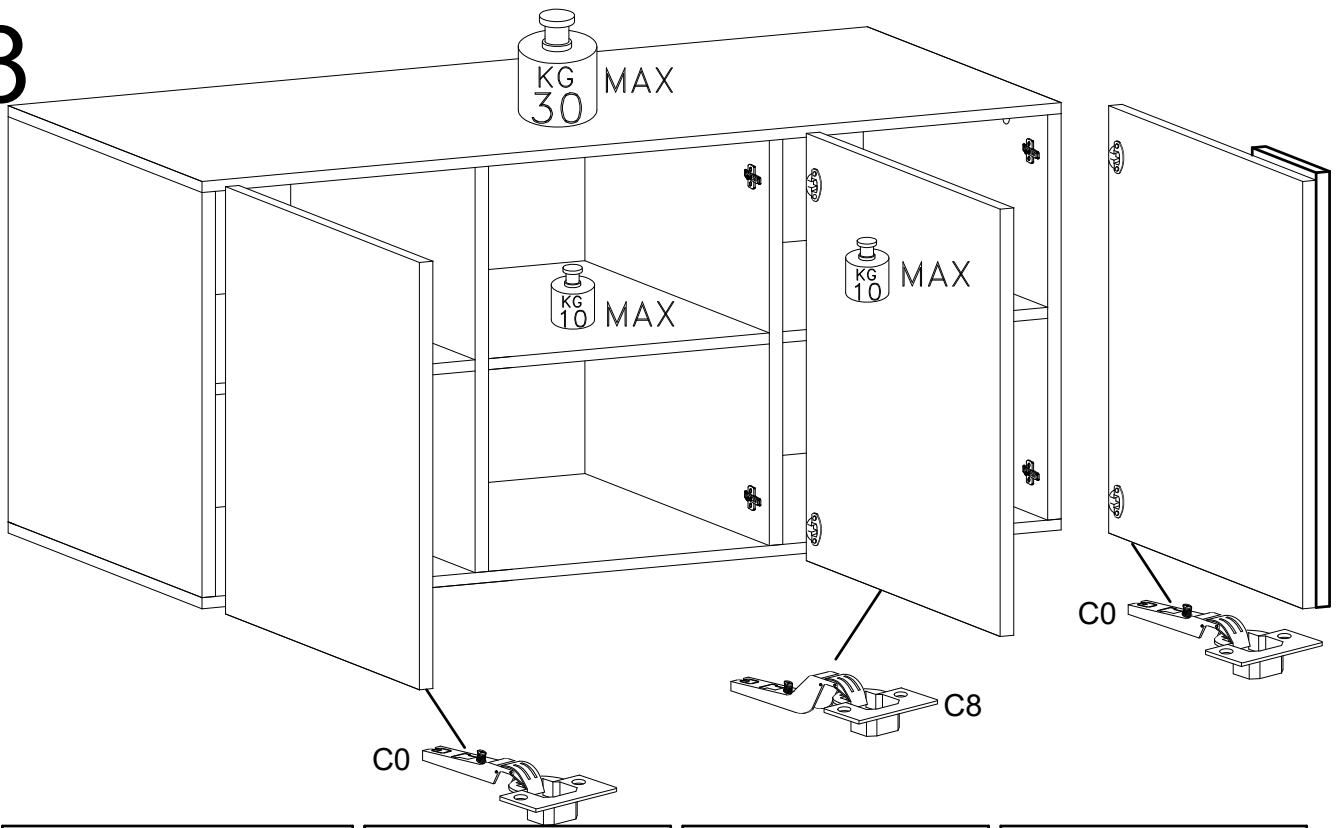


4x30 mm.

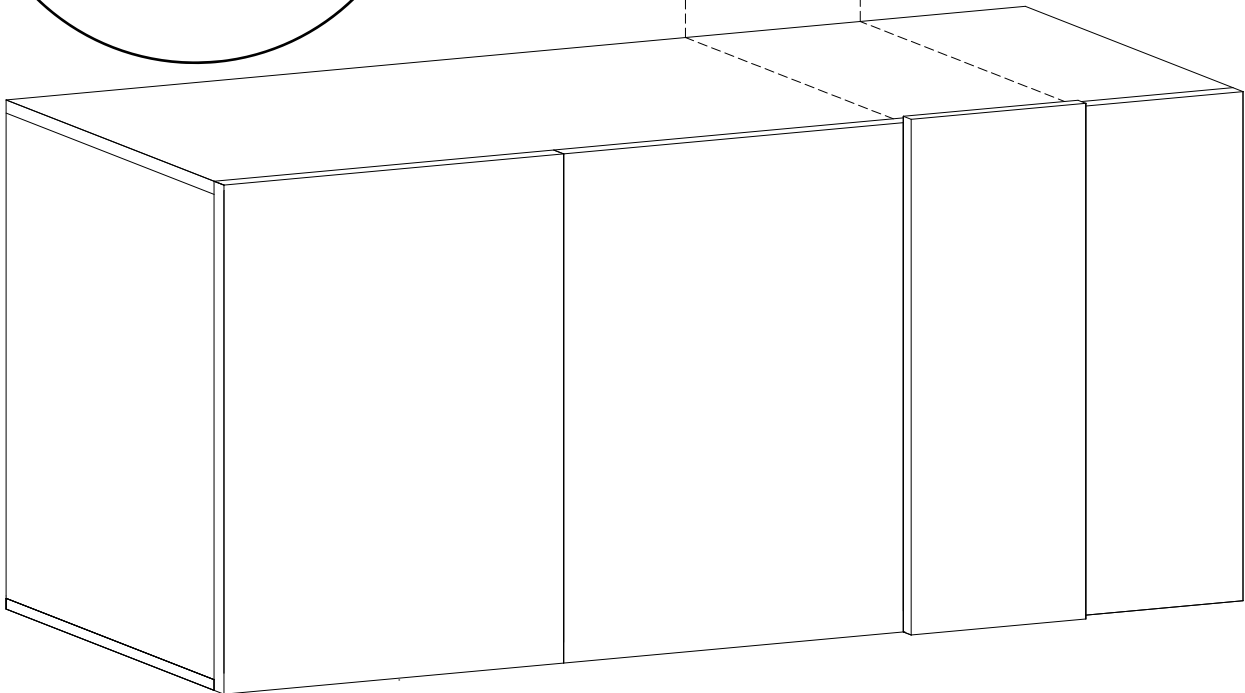
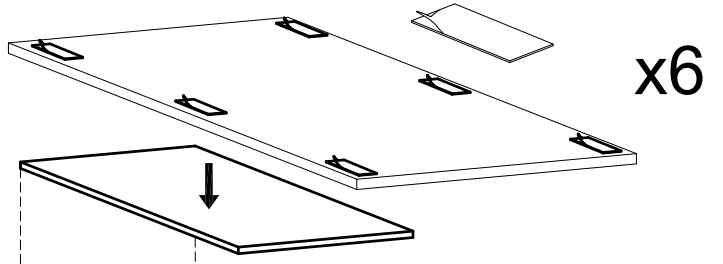
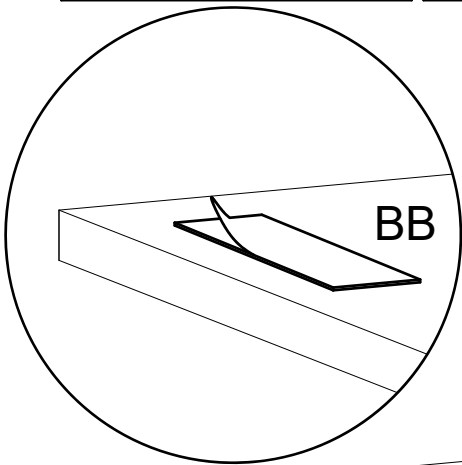
x5




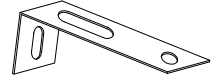
8



BB



# 10

- L418  4x18 mm. x2
- PST  x1

